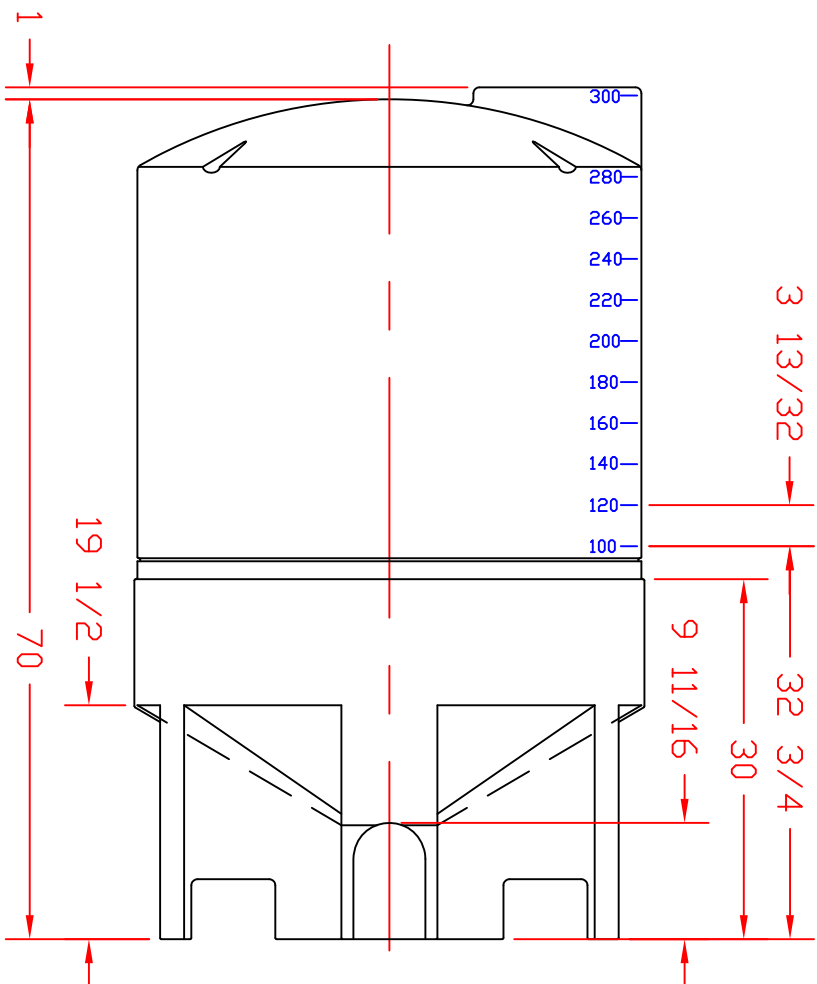
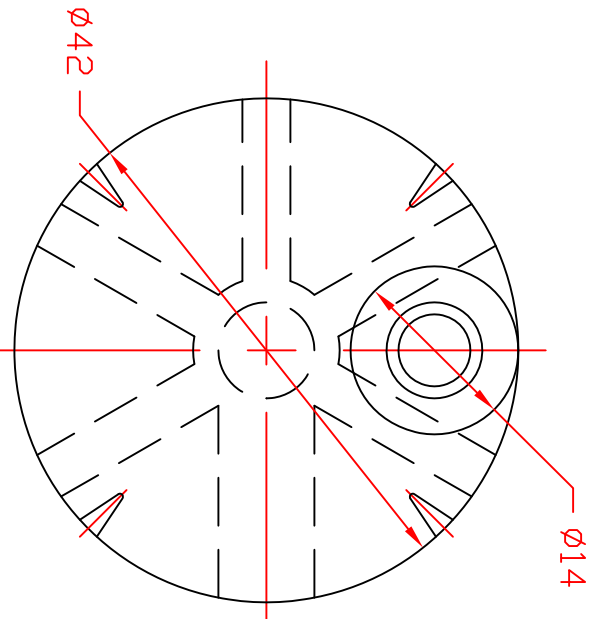


REVISIONS

ZONE	REV	DESCRIPTION	DATE	APPROVED
A	WAS	300	30 JUN 99	



 ST. BONIFACIUS, MN		JTP 08APR97	
		SIZE	FSCM NO.
310 GALLON CONE BOTTOM TANK WITH STAND		A	
SCALE 1/16		DWG NO.	REV
SHEET			