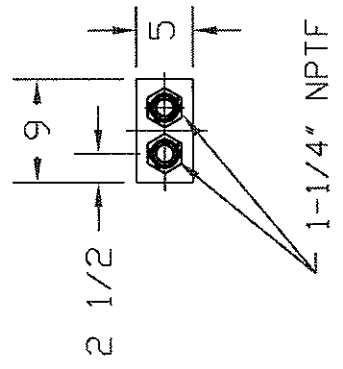
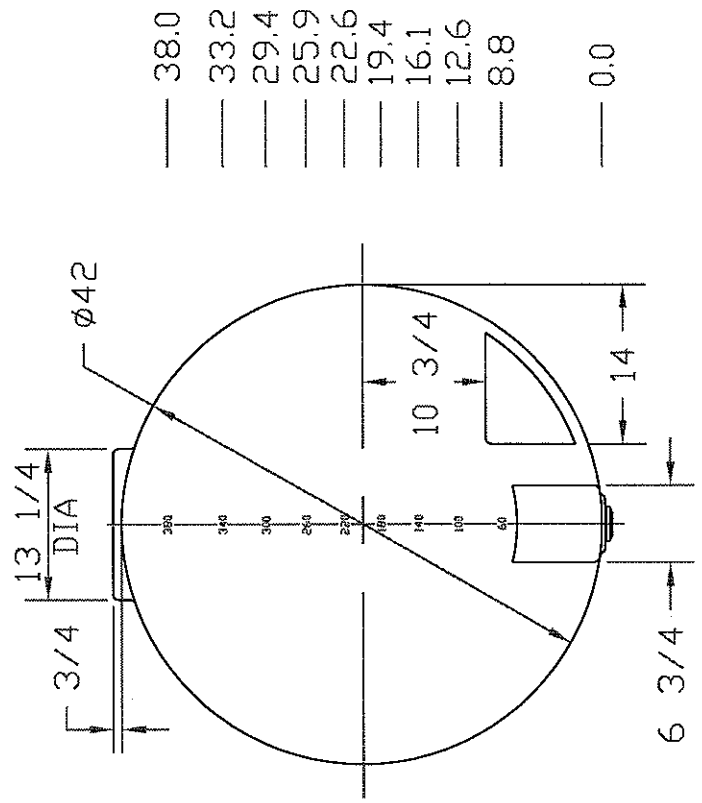
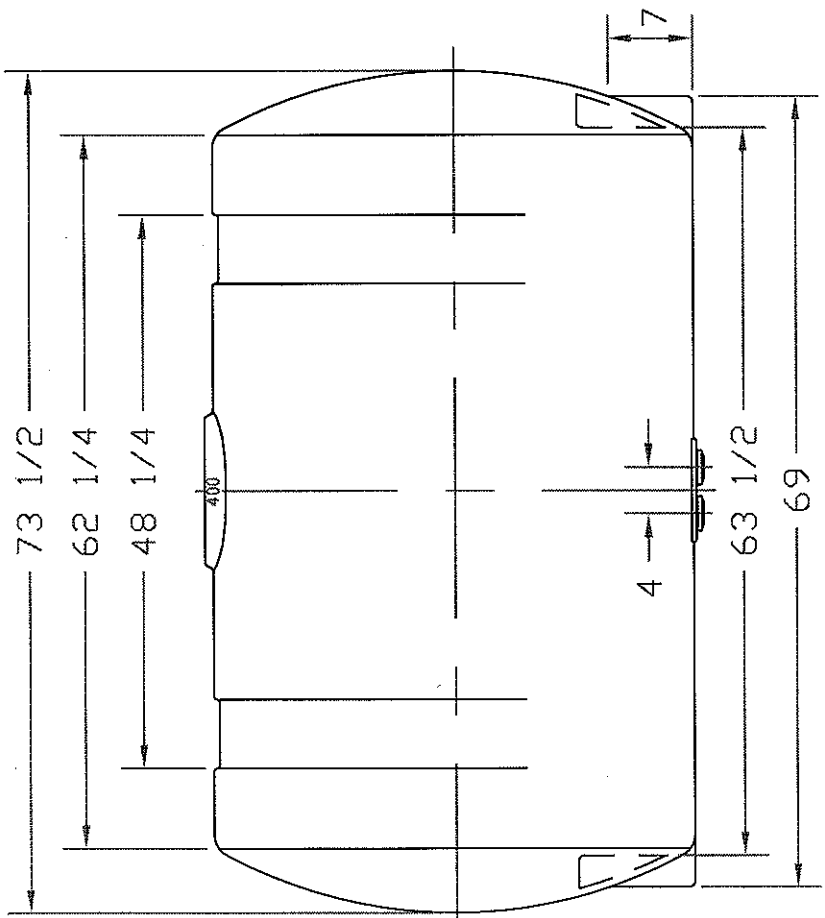
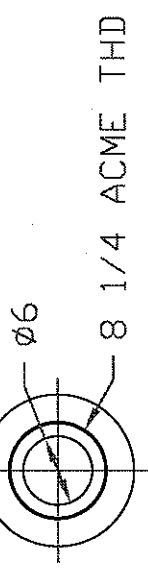


REVISIONS			
ZONE	REV	DESCRIPTION	DATE
	C	REDRAWN	22AUG97
	D	FITTINGS UPDATED	09DEC02



NORWESCO
 ST. BONIFACIUS, MN

400 GALLON APPLICATOR
 TANK

JTP	22AUG97	SIZE	FSCM NO.	DWG NO.	REV
		A			D
				SCALE	SHEET
				1/16	