

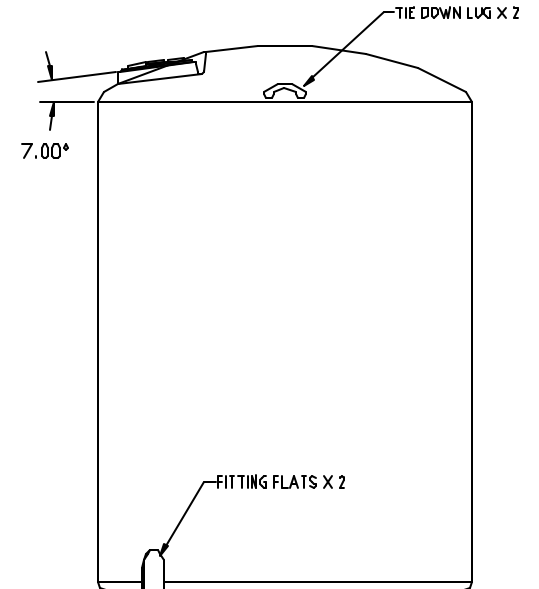
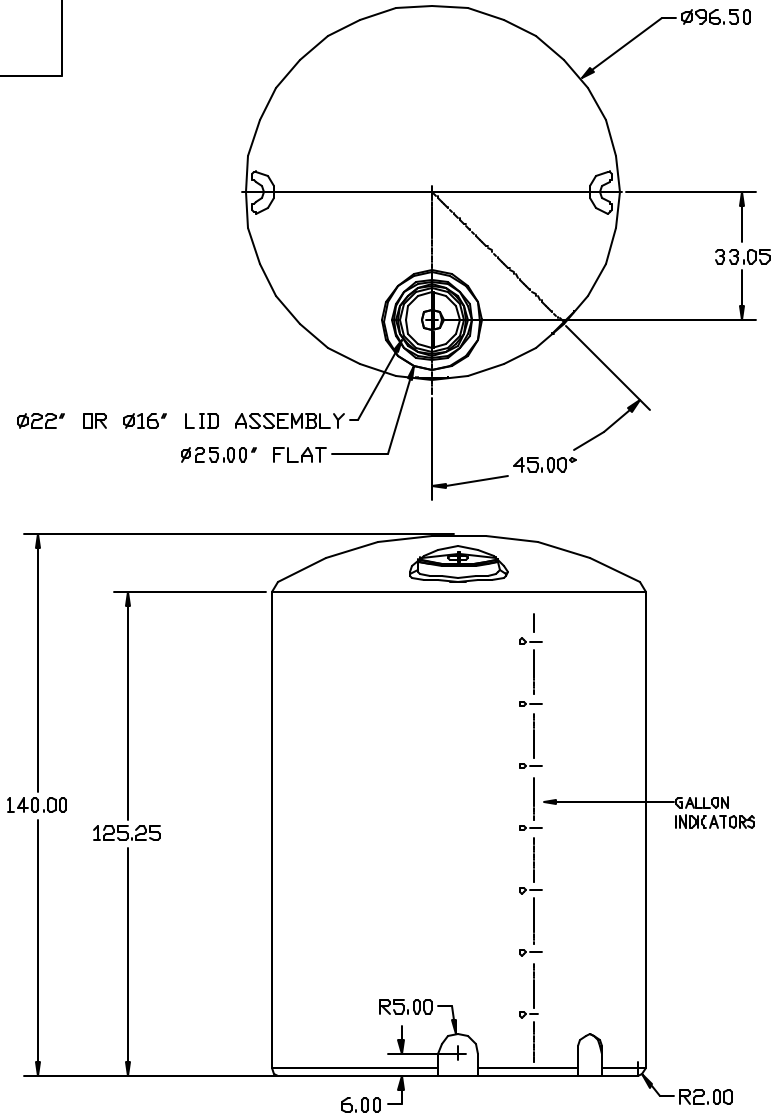
PROPRIETARY DATA

PROPERTY OF ACE ROTO-MOLD MFG., INC. INFORMATION FURNISHED HEREIN IS THE PROPERTY OF ACE ROTO-MOLD MFG., INC. AND SHALL NOT BE USED, DISCLOSED TO OTHERS, OR COPIED WITHOUT THE EXPRESSED WRITTEN CONSENT OF ACE ROTO-MOLD MFG., INC. ALL RIGHTS RESERVED.

VT4000-96

FEATURES

1. 1 PIECE ROTATIONALLY MOLDED CONSTRUCTION
2. TRANSLUCENT COLORS
3. FDA APPROVED RESIN
4. UV STABILIZED
5. CALIBRATED IN GALLONS
6. THREE YEAR WARRANTY



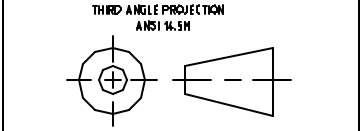
REV	DESCRIPTION	DATE	APPRD

DRAWN / DATE NVE 6/8/15
APPRD. / DATE DHJ 6/21/15

MATERIAL HDPE OR EQUIVALENT REFERENCE MATERIAL DATA SHEET FOR SPECIFIC PROPERTIES.



ALL DIMENSIONS ARE IN DECIMAL INCHES
TOLERANCES UNLESS OTHERWISE SPECIFIED
 $\pm 1\% @ 68^\circ F$



NOTES:
1. .640 THKK AT FITTING
2. WHITE OR COLDR
3. SHOT WEIGHT 911 LBS.

CLIENT / DESCRIPTION 4000 GALLON VERTICAL TANK	
SCALE N.S.	PART NO. VT4000-96