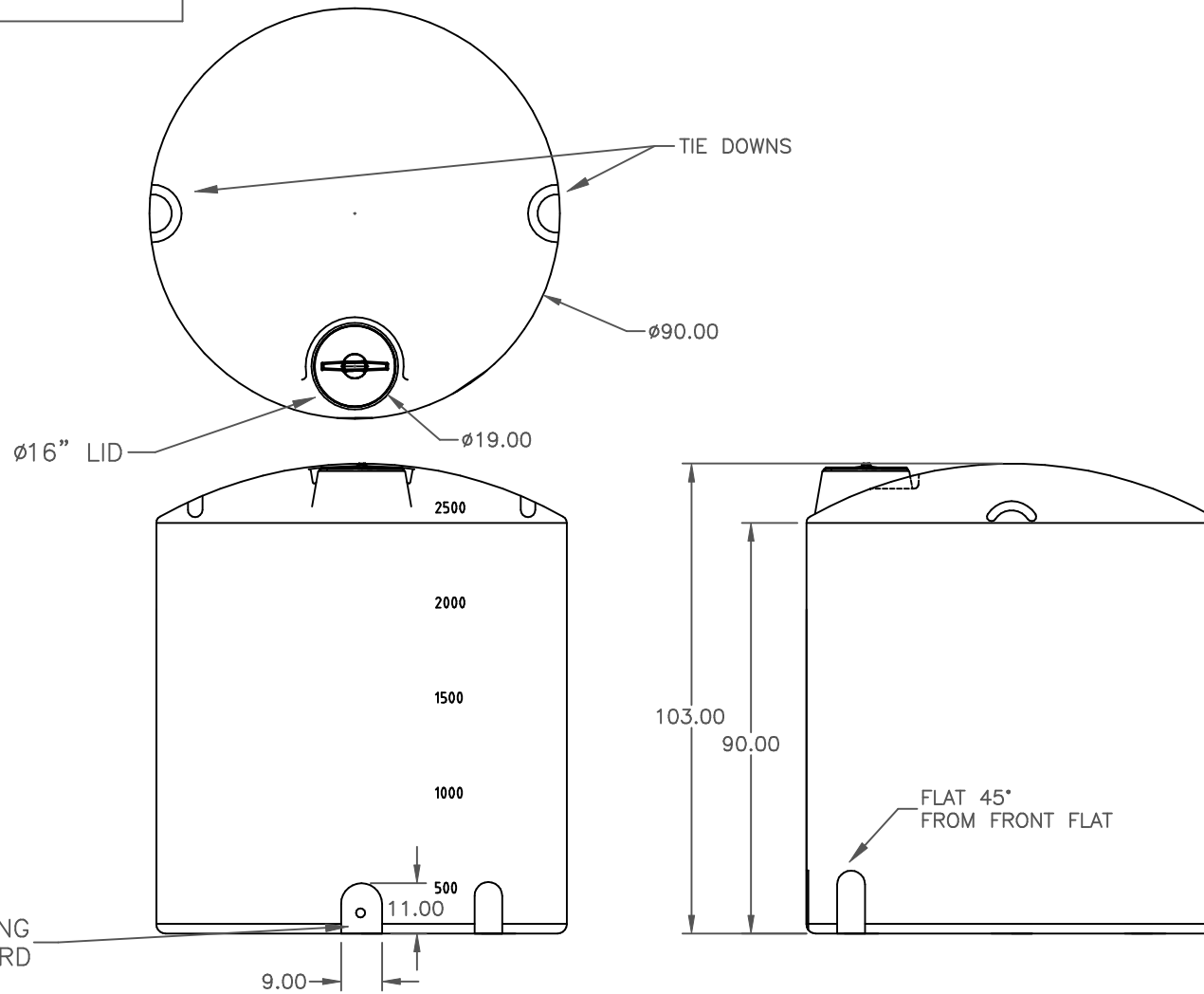


PROPRIETARY DATA

VT2500-90

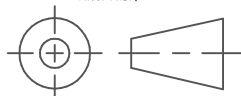
A

PROPERTY OF ACE ROTO-MOLD MFG., INC. INFORMATION FURNISHED HEREIN IS THE PROPERTY OF ACE ROTO-MOLD MFG., INC. AND SHALL NOT BE USED, DISCLOSED TO OTHERS, OR COPIED WITHOUT THE EXPRESSED WRITTEN CONSENT OF ACE ROTO-MOLD MFG., INC. ALL RIGHTS RESERVED.



FLAT FOR FITTING
2 INCH STANDARD

THIRD ANGLE PROJECTION
ANSI 14.5M



(A)

- NOTES:
- .43 MINIMUM THICK AT FITTING
 - BLACK, GREEN, WHITE, OR YELLOW COLOR
 - SHOT WEIGHT 420 LBS.

ALL DIMENSIONS ARE IN DECIMAL INCHES
TOLERANCES UNLESS OTHERWISE SPECIFIED

± 1% @ 68° F

DRAWN / DATE
NVE 6/10/05

MATERIAL

HDPE OR EQUIVALENT
REFERENCE MATERIAL DATA SHEET
FOR SPECIFIC PROPERTIES.

ACE ROTO-MOLD
A DIVISION OF DEN HARTOG INDUSTRIES, INC.
4018 HWY. 60 BLVD., BOX 421, HOSPERS, IOWA 51238

APPRD. / DATE
DHJ 6/21/05

CLIENT / DESCRIPTION

2500 GALLON VERTICAL TANK

REV	DESCRIPTION	DATE	APPRD	CCN
A	ADD MINIMUM WALL THICKNESS	CCN14.85	DHJ 10/15/07	

SCALE
N.S.

PART NO.
VT2500-90