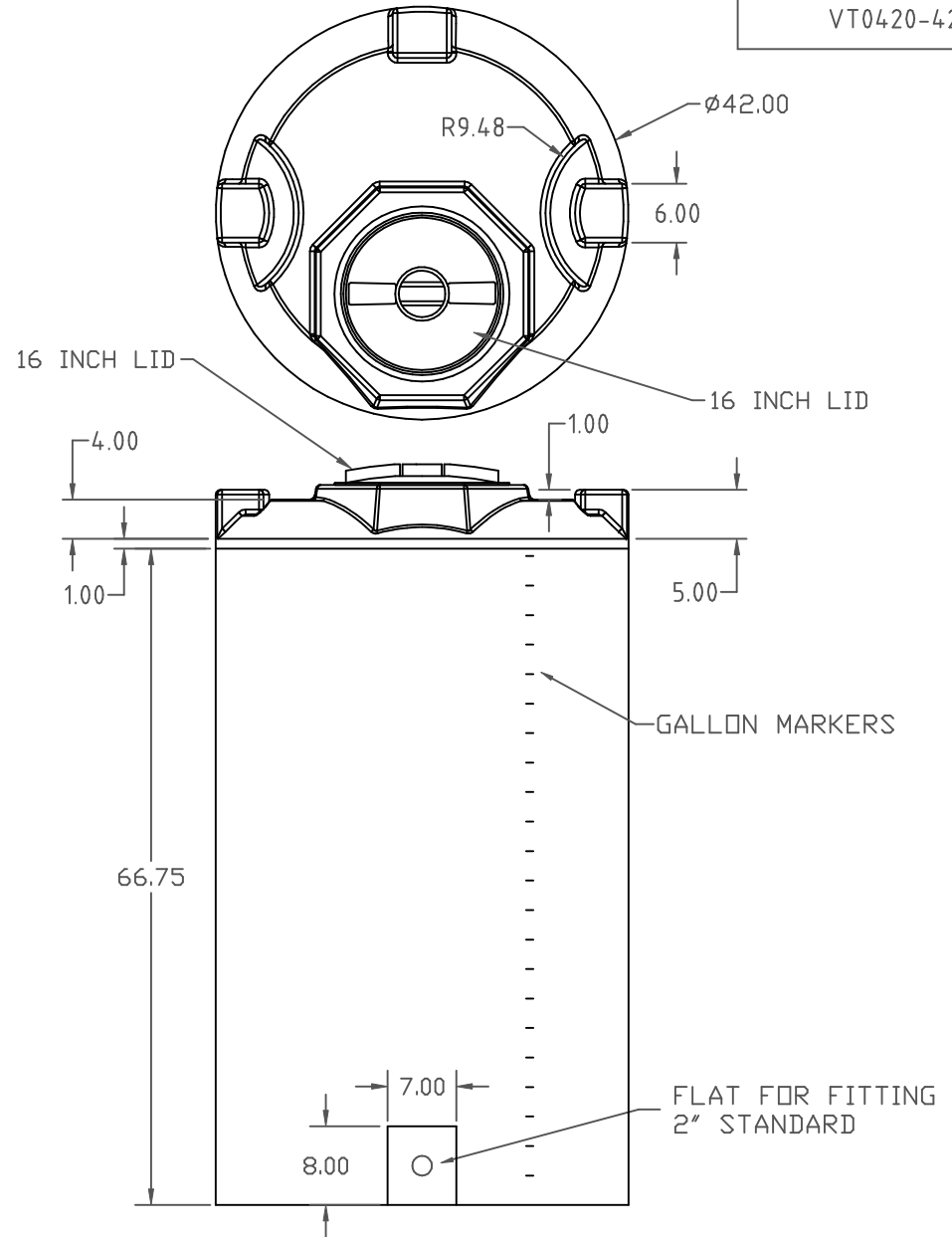
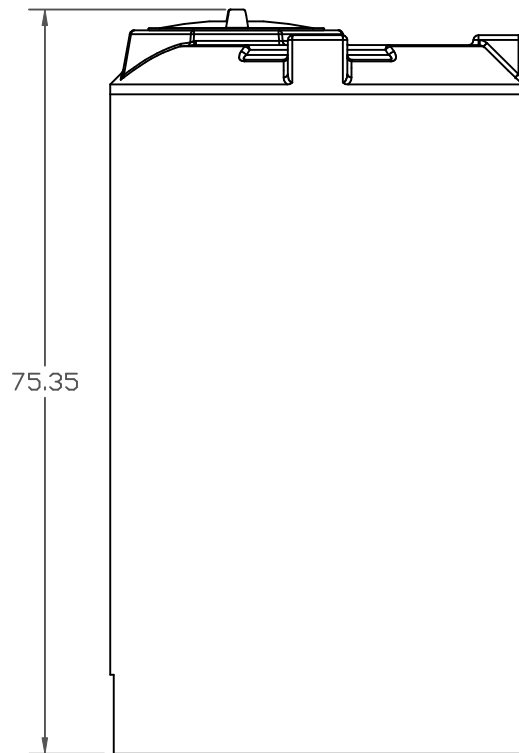


PROPRIETARY DATA

PROPERTY OF ACE ROTO-MOLD MFG., INC. INFORMATION FURNISHED HEREIN IS THE PROPERTY OF ACE ROTO-MOLD MFG., INC. AND SHALL NOT BE USED, DISCLOSED TO OTHERS, OR COPIED WITHOUT THE EXPRESSED WRITTEN CONSENT OF ACE ROTO-MOLD MFG., INC. ALL RIGHTS RESERVED.

VT0420-42




REV	DESCRIPTION	DATE	APPRD

ALL DIMENSIONS ARE IN DECIMAL INCHES
TOLERANCES UNLESS OTHERWISE SPECIFIED
± 1% @ 68° F

DRAWN / DATE DHJ 7/13/07
APPRD. / DATE REH/8/7/07
THIRD ANGLE PROJECTION ANSI 14.5M

MATERIAL HDPE OR EQUIVALENT REFERENCE MATERIAL DATA SHEET FOR SPECIFIC PROPERTIES.
NOTES: 1. BLACK, WHITE, YELLOW AND DESERT TAN COLOR 2. SHOT WEIGHT 100 LBS. 3. NOM. WALL @ .25

 Ace Roto-Mold A DIVISION OF DEN HARTOG INDUSTRIES, INC. 4010 HOSPERS DRIVE S., BOX 425, HOSPERS, IOWA 51238	
CLIENT / DESCRIPTION 420 GALLON VERTICAL TANK WITH 16 INCH LID	
SCALE N.S.	PART NO. VT0420-42