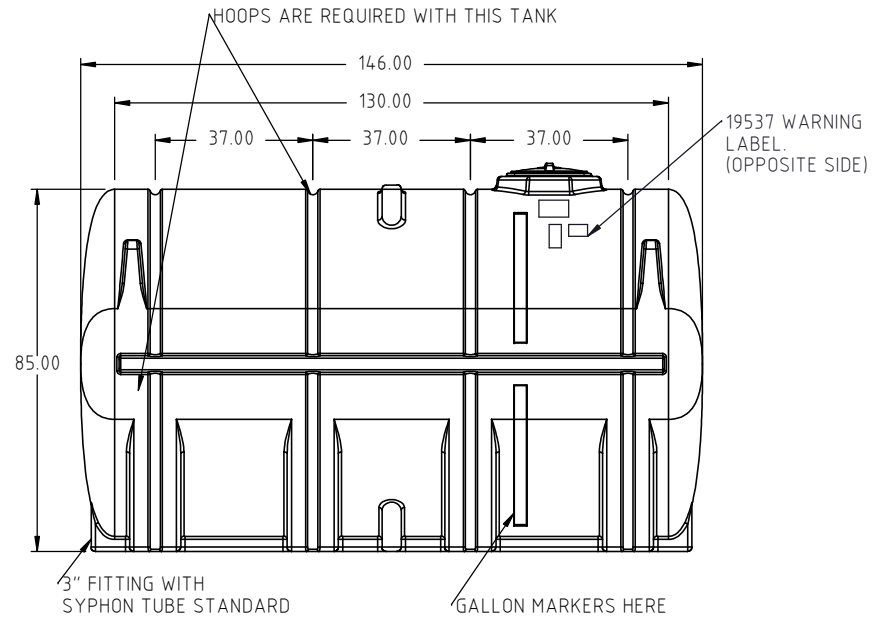
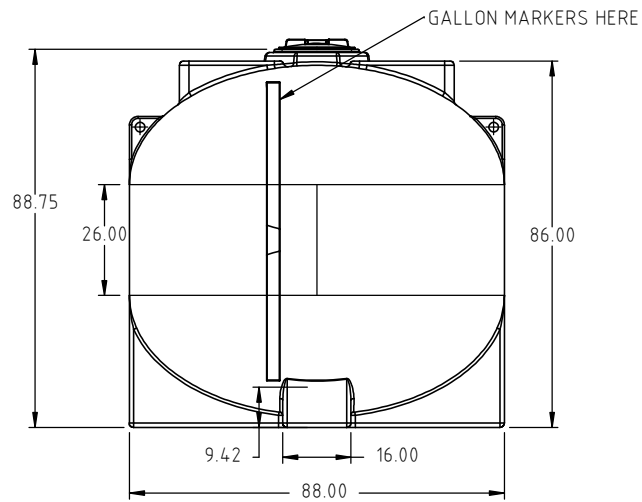
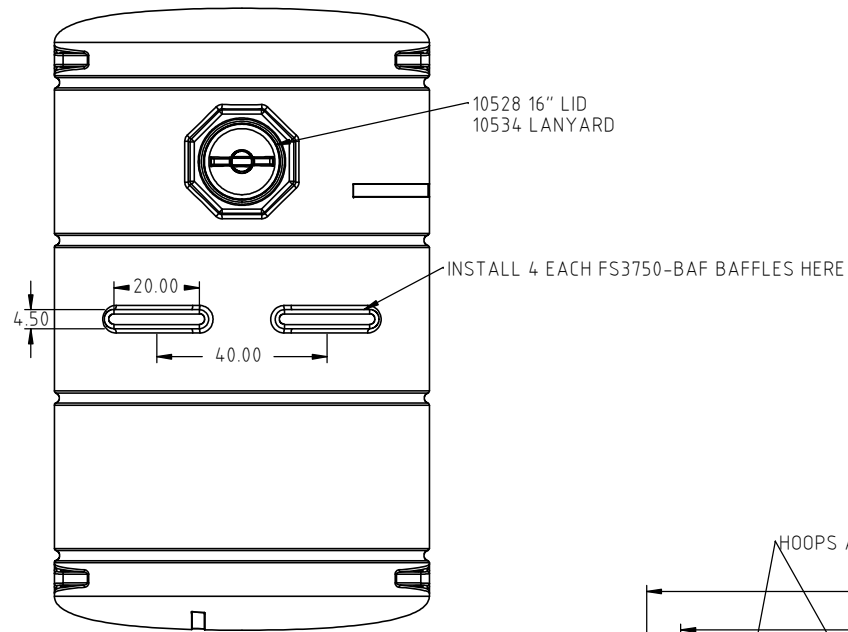



Copyright. All information furnished within this document, electronic file or design correspondence is the property of Den Hartog industries, Inc. and shall not be used, disclosed to others or copied without the expressed written consent of Den Hartog Industries, Inc.



|   |             |   |     |                               |  |
|---|-------------|---|-----|-------------------------------|--|
|   |             |   |     | DRAWN / DATE<br>ADH 10/25/11  | MATERIAL<br>10538 NATURAL                                |
|   |             |   |     | APPRD. / DATE<br>REH 7/18/12  |  |
| REV   | DESCRIPTION | BY / DATE   | CCN |                               |  |
| ALL DIMENSIONS ARE IN DECIMAL INCHES<br>TOLERANCES UNLESS OTHERWISE SPECIFIED |             | THIRD ANGLE PROJECTION<br>ANSI 14.5M                      |     | SHOT WEIGHT:<br>1290 LBS.     | NOTES:<br>1.) 0.580 NOMINAL WALL<br>2.) WHITE STD. COLOR |
| POLYETHYLENE  |             | METAL<br>DECIMAL ± .125"<br>FRACTION ± 1/4"<br>ANGLE ± 1° |     | SHIPPING WEIGHT:<br>1422 LBS. |  |
| ±1% @ 68°F  |             |   |     | FINISH:                       |  |



**Den Hartog**  
INDUSTRIES, INC.

*Acro Roto-Mold Injection Molding Blow Molding Sowjoy*

4010 HOSPERS DRIVE S. BOX 425, HOSPERS, IOWA 51238-0425

|  |                       |
|--|-----------------------|
| DESCRIPTION<br>3750 GALLON ELLIPTICAL LEG TANK |                       |
| SCALE<br>N.S.                                  | PART NO.<br>FS3750-88 |