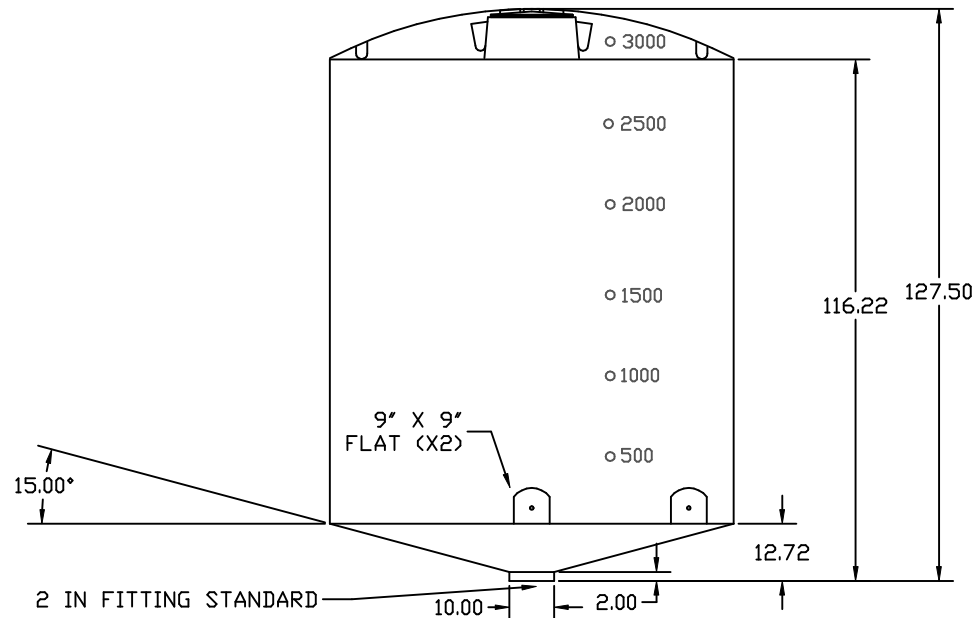
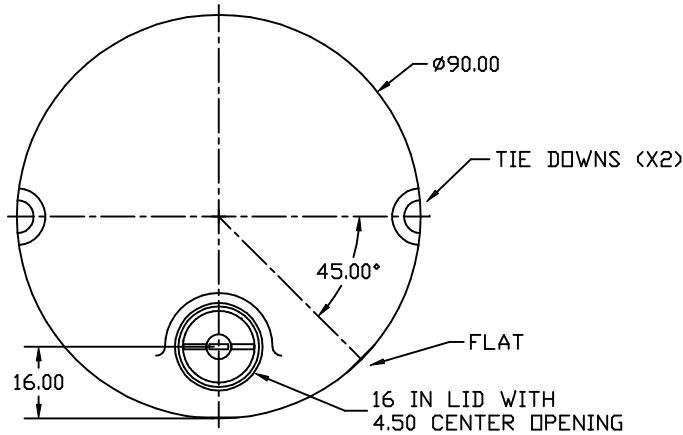


PROPERTY OF DEN HARTOG INDUSTRIES, INC. INFORMATION FURNISHED HEREIN IS THE PROPERTY OF DEN HARTOG INDUSTRIES, INC. AND SHALL NOT BE USED, DISCLOSED TO OTHERS, OR COPIED WITHOUT THE EXPRESSED WRITTEN CONSENT OF DEN HARTOG INDUSTRIES, INC. ALL RIGHTS RESERVED.



B	HEIGHT WAS 125.00	7/17/06	NVE	DRAWN / DATE EGB 9/13/94	MATERIAL HDPE OR EQUIVALENT REFERENCE MATERIAL DATA SHEET FOR SPECIFIC PROPERTIES.
A	ISOLATED TANK AND STAND	6/13/06	NVE	APPRD. / DATE REH 4/18/07	
REV	DESCRIPTION	DATE	APPRD		
ALL DIMENSIONS ARE IN DECIMAL INCHES TOLERANCES UNLESS OTHERWISE SPECIFIED + 1% @ 68° F -				THIRD ANGLE PROJECTION ANSI 14.5M 	NOTES: 1. NOM. WALL @ 0.430 2. SHOT WEIGHT 550 LBS.

ACE ROTO-MOLD
 A DIVISION OF DEN HARTOG INDUSTRIES, INC.
 4010 HOSPERS DRIVE S., BOX 425, HOSPERS, IA 51238

CLIENT / DESCRIPTION: 3000 GALLON, Ø90 CONE BOTTOM TANK

SCALE: N.S.	PART NO.: CB3000-90
-------------	---------------------