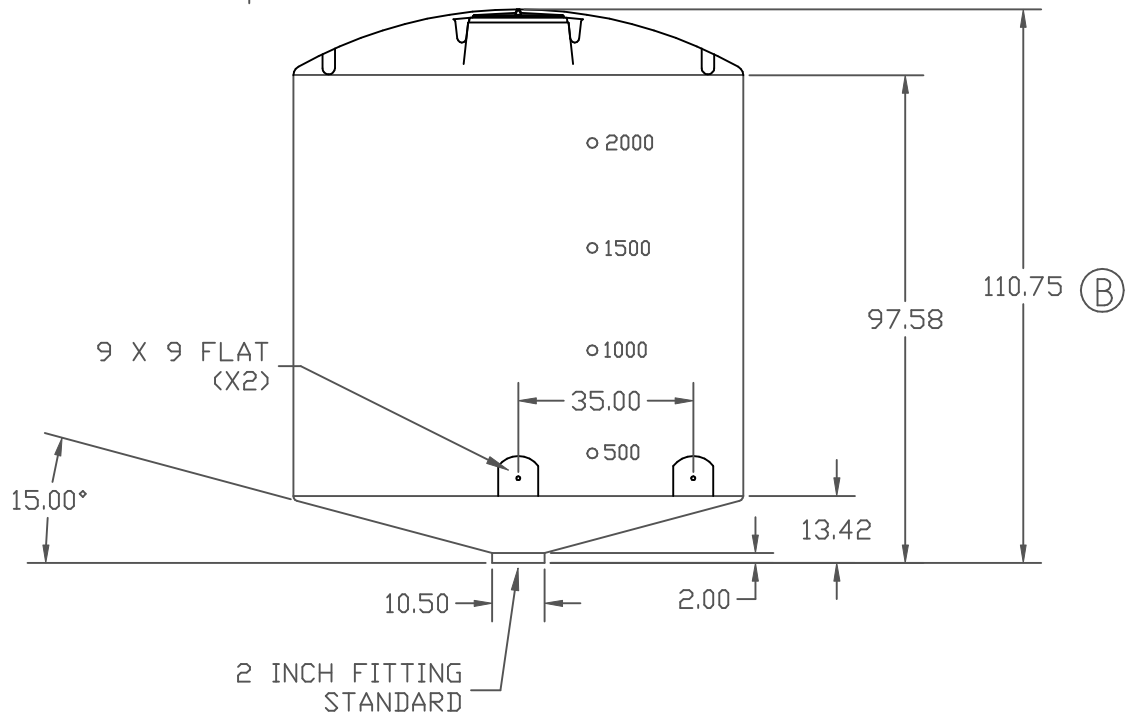
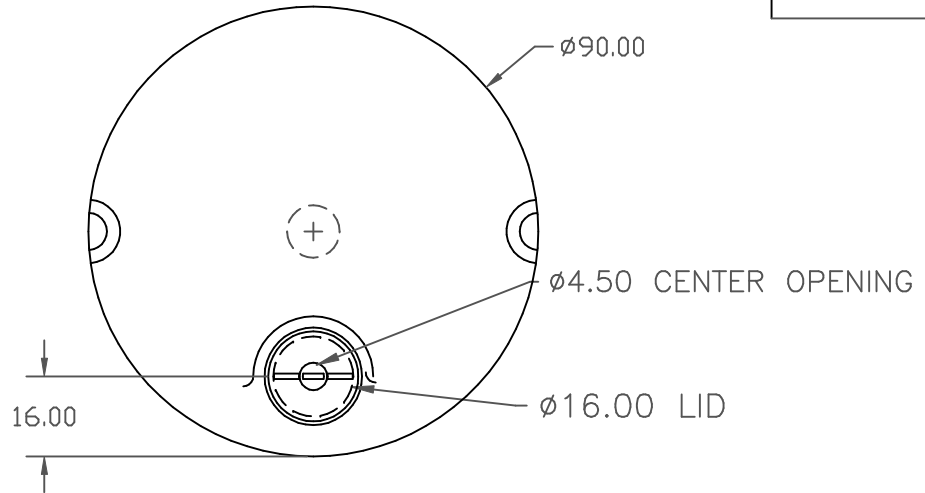


PROPRIETARY DATA

PROPERTY OF DEN HARTOG INDUSTRIES, INC. INFORMATION FURNISHED HEREIN IS THE PROPERTY OF DEN HARTOG INDUSTRIES, INC. AND SHALL NOT BE USED, DISCLOSED TO OTHERS, OR COPIED WITHOUT THE EXPRESSED WRITTEN CONSENT OF DEN HARTOG INDUSTRIES, INC. ALL RIGHTS RESERVED.

CB2500-90

B



B	HEIGHT WAS 108.75	6/28/06	NVE	DRAWN / DATE DHJ 10/7/04
A	ISOLATED TANK FROM STAND	6/13/06	NVE	APPRD. / DATE REH 4/18/07
REV	DESCRIPTION	DATE	APPRD	

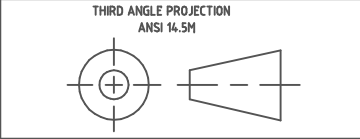
DRAWN / DATE DHJ 10/7/04
APPRD. / DATE REH 4/18/07

MATERIAL
HDPE OR EQUIVALENT
REFERENCE MATERIAL DATA SHEET
FOR SPECIFIC PROPERTIES.

ACE ROTO-MOLD
A DIVISION OF DEN HARTOG INDUSTRIES, INC.
4010 HWY. 60 BLVD., BOX 425, HOSPERS, IOWA 51238

CLIENT / DESCRIPTION
2500 GALLON ϕ 90" 15° CONE BOTTOM TANK

ALL DIMENSIONS ARE IN DECIMAL INCHES
TOLERANCES UNLESS OTHERWISE SPECIFIED
 \pm 1% @ 68° F



NOTES:
1. SHOT WEIGHT 435 LBS.

SCALE
N.S.

PART NO.
CB2500-90