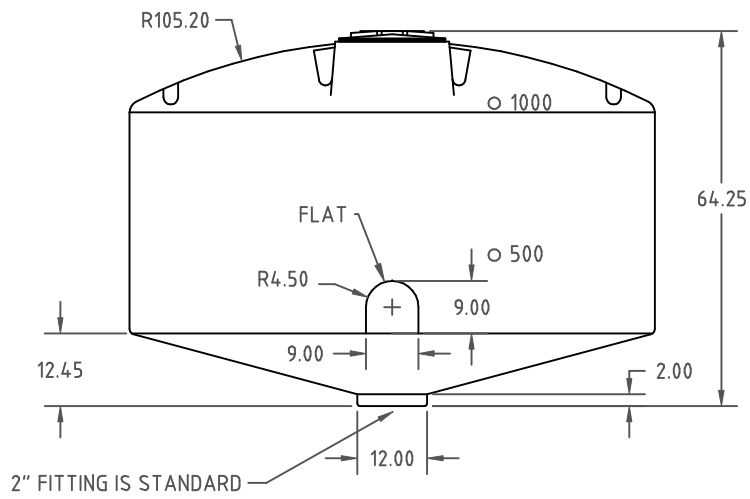
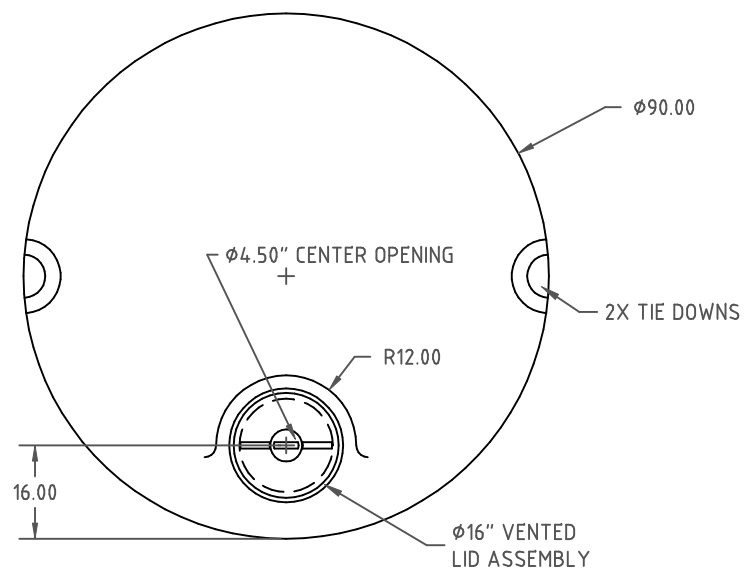


Copyright. All information furnished within this document, electronic file or design correspondence is the property of Den Hartog industries, Inc. and shall not be used, disclosed to others or copied without the expressed written consent of Den Hartog Industries, Inc.



				DRAWN / DATE DHJ 10/31/08 APPRD. / DATE REH 2/18/09	MATERIAL 10420 3 MELT +
REV	DESCRIPTION	BY / DATE	CCN	SHOT WEIGHT: 260 LBS. SHIPPING WEIGHT: 262 LBS. FINISH:	NOTES: 1. .30 WALL
ALL DIMENSIONS ARE IN DECIMAL INCHES TOLERANCES UNLESS OTHERWISE SPECIFIED POLYETHYLENE $\pm 1\%$ @ 68° F		THIRD ANGLE PROJECTION ANSI 14.5M		METAL DECIMAL $\pm .125$ " FRACTION $\pm 1/4$ " ANGLE $\pm 1^\circ$	



Den Hartog  
INDUSTRIES, INC.  
Ace Roto-Mold Injection Molding Blow Molding SawJoy  
4010 HOSPERS DRIVE S. BOX 425, HOSPERS, IOWA 51238-0421

DESCRIPTION		1300 GALLON 15° CONE BOTTOM TANK	
SCALE	N.S.	PART NO.	CB1300-90