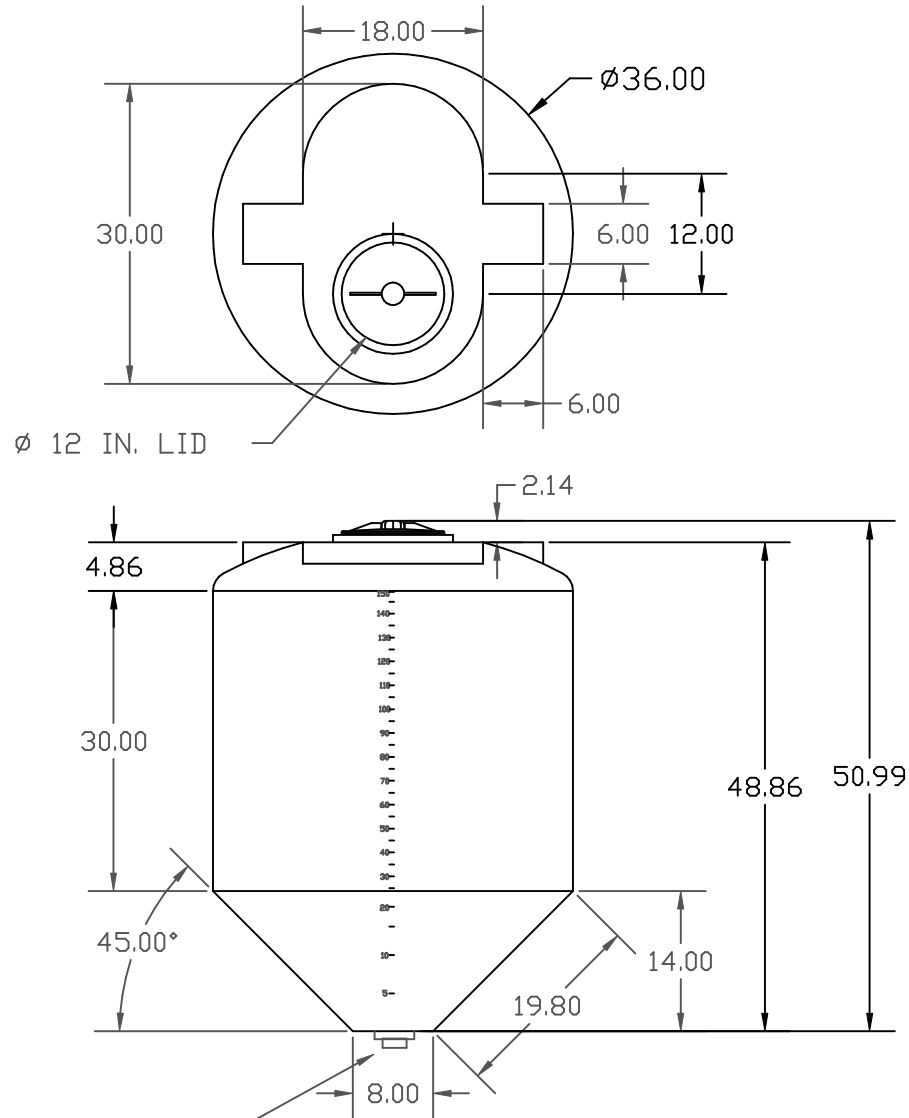


PROPRIETARY DATA


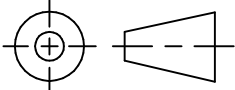
CB0150-36

A

PROPERTY OF ACE ROTO-MOLD MFG., INC. INFORMATION FURNISHED HEREIN IS THE PROPERTY OF ACE ROTO-MOLD MFG., INC. AND SHALL NOT BE USED, DISCLOSED TO OTHERS, OR COPIED WITHOUT THE EXPRESSED WRITTEN CONSENT OF ACE ROTO-MOLD MFG., INC. ALL RIGHTS RESERVED.



2" B.H. FITTING IS STANDARD

		DRAWN / DATE DHJ 4/16/04		MATERIAL		 ACE ROTO-MOLD A DIVISION OF DEN HARTOG INDUSTRIES, INC. 4018 HWY. 60 BLVD., BOX 421, HOSPERS, IOWA 51238	
A		REMOVED STAND, CHANGED WEIGHT (64 TO 61) 5/11/06 NVE		HDPE OR EQUIVALENT REFERENCE MATERIAL DATA SHEET FOR SPECIFIC PROPERTIES.			
REV	DESCRIPTION	DATE	APPRD	APPRD. / DATE REH 4/18/07	CLIENT / DESCRIPTION 150 GALLON TANK WITH 45° CONE BOTTOM		
ALL DIMENSIONS ARE IN DECIMAL INCHES TOLERANCES UNLESS OTHERWISE SPECIFIED \pm 1% @ 68° F				THIRD ANGLE PROJECTION ANSI 14.5M 		NOTES: 1. .294 NOM. WALL 2. SHOT WEIGHT 61 LBS.	
				SCALE N.S.		PART NO. CB0150-36	