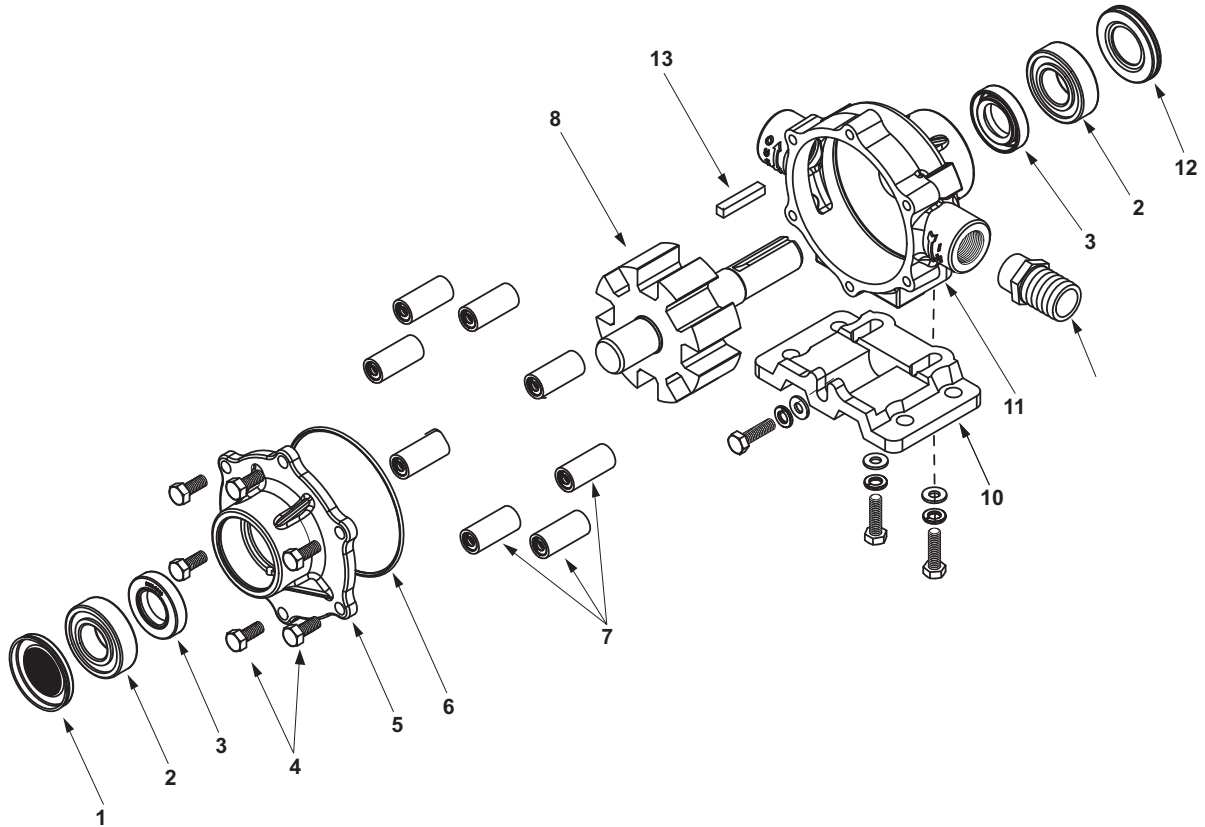


# Parts Illustration

## Series 7560



**IMPORTANT:**

When ordering parts, give PART NUMBER and PART DESCRIPTION. Reference Numbers are used ONLY to point out parts in the drawing and are NOT to be used as ordering numbers.

**Repair Parts Kits:**

**No. 3430-0381** Consists of (8) Ref. 7 Super Rollers, (1) Ref. 6 O-ring, and (2) Ref. 3 Viton seals

**No. 3430-0167** Consists of (8) Ref. 7 Polypropylene Rollers, (1) Ref. 6 O-ring, and (2) Ref. 3 Viton seals

| Ref. No. | Qty. Req'd. | Part Number | Description                     |
|----------|-------------|-------------|---------------------------------|
| 1        | 1           | 2300-0020   | Bearing Cover                   |
| 2        | 2           | 2008-0001   | Sealed Ball Bearing             |
| 3        | 2           | 2112-0003   | Viton Seal (Standard)           |
| 3        | 2           | 2112-0001   | Buna-N Seal (Optional)          |
| 4        | 6           | 2210-0004   | Bolts                           |
| 5        | 1           | 0204-7500C  | Endplate (Cast Iron) with Seal  |
| 5        | 1           | 0204-7500N  | Endplate (Ni-Resist) with Seal  |
| 5        | 1           | 0204-7500X  | Endplate (SilverCast) with Seal |
| 6        | 1           | 1720-0014   | O-ring Gasket for Endplate      |
| 7        | 8           | 1005-0004   | Super Roller (Standard)         |
| 7        | 8           | 1002-0004   | Polypropylene Roller (Optional) |
| 7        | 8           | 1055-0004   | Teflon Roller (Optional)        |

| Ref. No. | Qty. Req'd. | Part Number | Description  |
|----------|-------------|-------------|--|
| 8        | 1           | 3430-0745   | Rotor Assembly (Std. Ni-Resist & XL)   |
| 8        | 1           | 0308-7560C  | Rotor Assembly (Cast Iron only)  |
| 10       | 1 kit       | 3420-0003   | Base Kit - <b>Sold Separately</b><br>Includes: (1) Base, (3) Bolts and (3) Washers |
| 11       | 1           | 0104-7500C  | Body (Cast Iron) with Seal   |
| 11       | 1           | 0104-7500N  | Body (Ni-Resist) with Seal   |
| 11       | 1           | 0104-7500X  | Body (SilverCast) with Seal  |
| 12       | 1           | 2300-0022   | Shaft Bearing Cover  |
| 13       | 1           | 1610-0005   | Key  |
|          | 1           | 1610-0059   | Key (Stainless Steel)  |